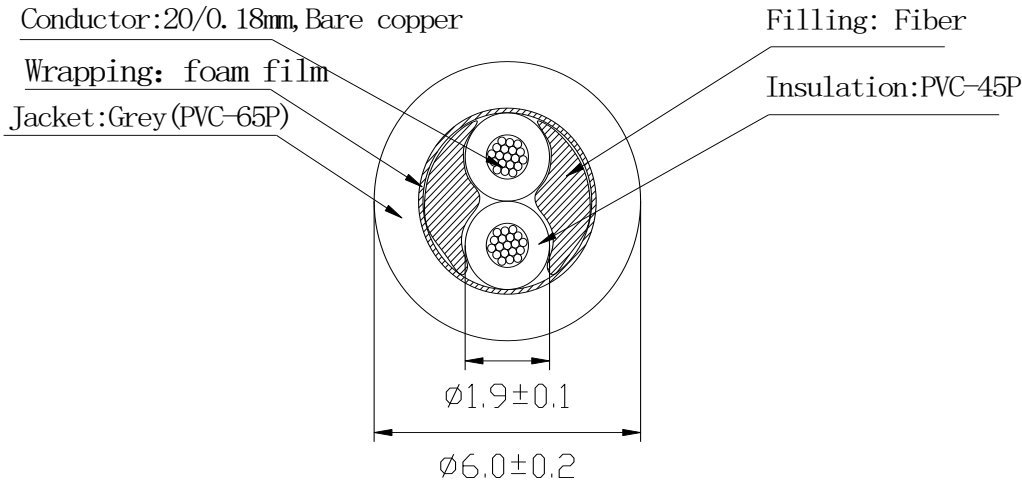


CABLE SPECIFICATION

NO. : HF20170213-01

Sectional view:



Printing:  ALTEK KABEL CT-500 2G0.5 QMM/10052 300/500V 0010205 CE

Black word!

Model	CT-500 2x0.5mm ²
Conductor	20/0.18mm, Bare copper
Maximum conductor resistance Ω/KM (20°C)	39
Insulation	PVC-45P
Insulation Thickness	0.5mm
Color	Brown、 Blue
ID	1.9±0.1mm
Filling	Fiber
Wrapping	foam film
Jacket	Grey (PVC-65P)
OD	6.0±0.2mm
Minimum insulation resistance (MΩ/KM)	0.012
Sheath thickness	0.7mm
Rated voltage	0.3/0.5KV
Processing methods and use range	NO processing
Draw	Audit
Approved	

Customer Confirm:

SHENZHEN HENGFENG WIRE&CABLE CO.,LTD.