

# CABLE SPECIFICATION

NO.: HF20170217-27

Sectional view:

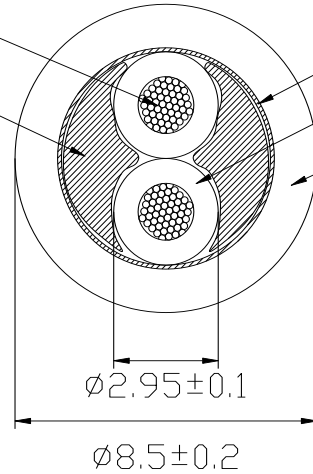
Conductor: 60/0.18mm, Bare copper

Filling: Fiber

Wrapping: foam film

Insulation: PVC-45P

Jacket: Grey (PVC-65P)



<b>Model</b>	CT-500 2x1.5mm <sup>2</sup>
<b>Conductor</b>	60/0.18mm, Bare copper
<b>Maximum conductor resistance Ω/KM (20°C)</b>	13.3
<b>Insulation</b>	PVC-45P
<b>Insulation Thickness</b>	0.8mm
<b>Color</b>	Brown、Blue
<b>ID</b>	2.95±0.1mm
<b>Filling</b>	Fiber
<b>Wrapping</b>	foam film
<b>Jacket</b>	Grey (PVC-65P)
<b>OD</b>	8.5±0.2mm
<b>Minimum insulation resistance (MΩ/KM)</b>	0.010
<b>Sheath thickness</b>	1.0mm
<b>Rated voltage</b>	0.3/0.5KV
<b>Processing methods and use range</b>	NO processing
<b>Draw</b>	
<b>Audit</b>	
<b>Approved</b>	
<b>SHENZHEN HENGFENG WIRE&amp;CABLE CO.,LTD.</b>	

Printing:  ALTEK KABEL CT-500 2G1.5 QMM/10152 300/500V 0010215 CE

Black word!

Customer Confirm: