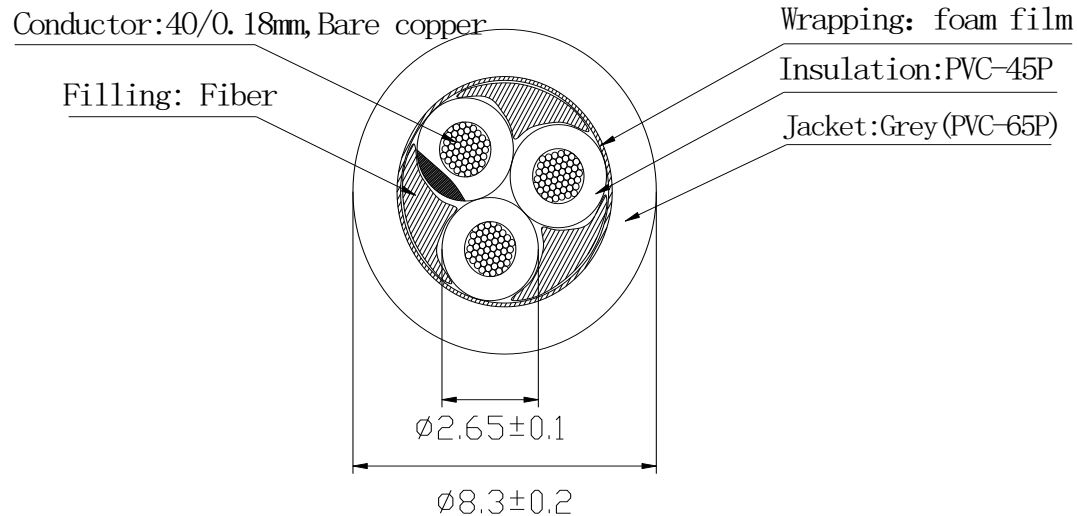


# CABLE SPECIFICATION

NO.: HF20170217-15

Sectional view:



<b>Model</b>	CT-500 3x1.0mm <sup>2</sup>
<b>Conductor</b>	40/0.18mm, Bare copper
<b>Maximum conductor resistance <math>\Omega</math>/KM (20°C)</b>	19.5
<b>Insulation</b>	PVC-45P
<b>Insulation Thickness</b>	0.8mm
<b>Color</b>	Brown、 Blue、 Yellow/Green
<b>ID</b>	2.65±0.1mm
<b>Filling</b>	Fiber
<b>Wrapping</b>	foam film
<b>Jacket</b>	Grey (PVC-65P)
<b>OD</b>	8.3±0.2mm
<b>Minimum insulation resistance (M<math>\Omega</math>/KM)</b>	0.010
<b>Sheath thickness</b>	1.0mm
<b>Rated voltage</b>	0.3/0.5KV
<b>Processing methods and use range</b>	NO processing

Printing:  ALTEK KABEL CT-500 3G1.0 QMM/10103 300/500V 0010310 CE

Black word!

Customer Confirm:

<b>Draw</b>	<b>Audit</b>	<b>Approved</b>

**SHENZHEN HENGFENG WIRE&CABLE CO.,LTD.**