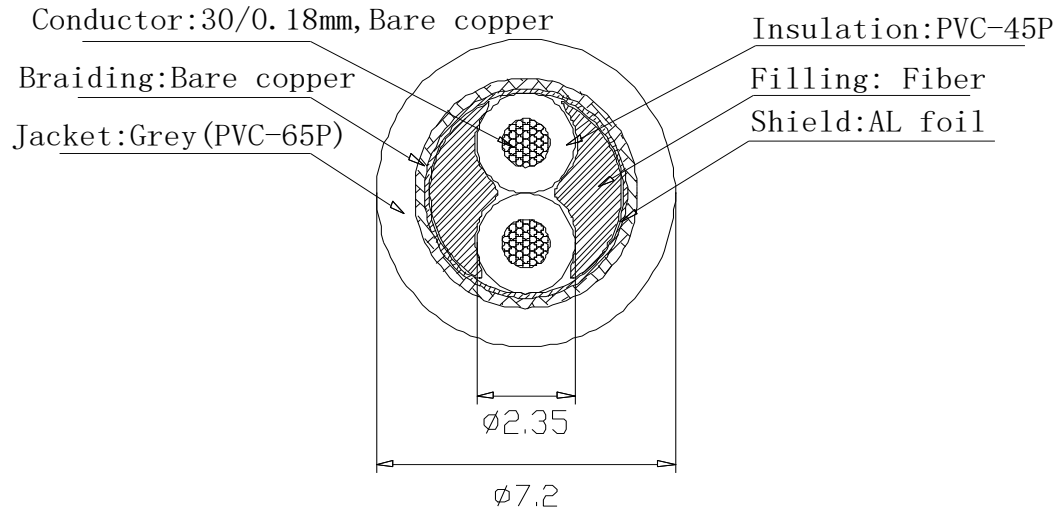


CABLE SPECIFICATION

NO.: HF20170214-01

Sectional view:



Model	SH-500 2x0.75mm ²
Conductor	30/0.18mm, Bare copper
Maximum conductor resistance Ω/KM (20°C)	26
Insulation	PVC-45P
Insulation Thickness	0.6mm
Color	Brown、 Blue
ID	2.35±0.1mm
Filling	Fiber
Shield	CU / AL foil
Braiding	Bare copper
Jacket	Grey (PVC-65P)
OD	7.2±0.2mm
Minimum insulation resistance (MΩ/KM)	0.011
Sheath thickness	0.8mm
Rated voltage	0.3/0.5KV
Processing methods and use range	NO processing

Printing:  ALTEK KABEL SH-500 2G0.75 QMM/10752 300/500V 0010275 CE

Black word!

Customer Confirm:

Draw	Audit	Approved	Processing methods and use range	NO processing
			SHENZHEN HENGFENG WIRE&CABLE CO.,LTD.	