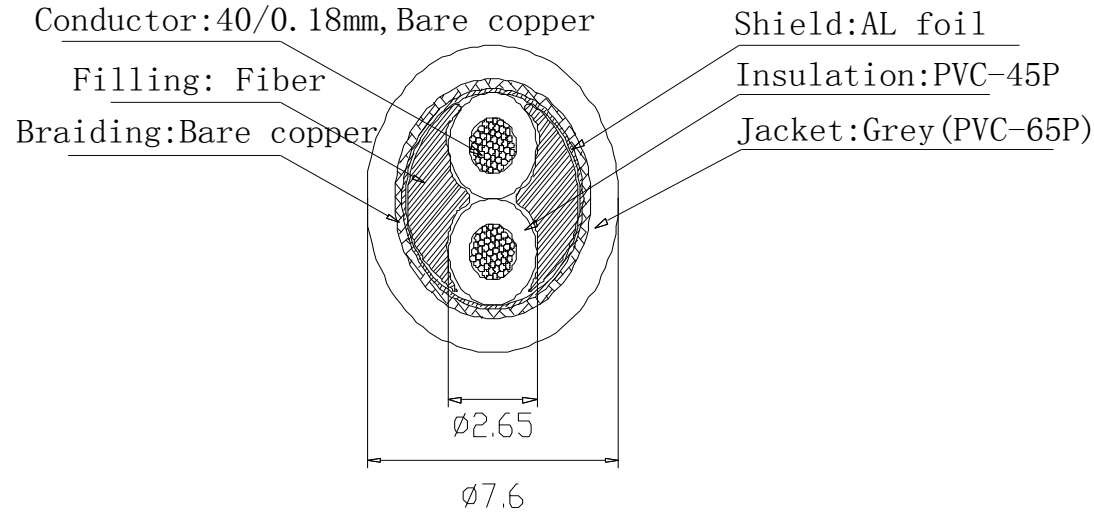



CABLE SPECIFICATION

NO.: HF20190603-1

Sectional view:



Printing:  ALTEK KABEL SH-500 2G1.0 QMM/10102 300/500V 0010210 CE

Black word!

Model	RVVP 2×1.0mm ²		
Conductor	40/0.18mm, Bare copper		
Maximum conductor resistance Ω/KM (20°C)	19.5		
Insulation	PVC-45P		
Insulation Thickness	0.8mm		
Color	Brown、 Blue		
ID	2.65±0.1mm		
Filling	Fiber		
Shield	AL foil		
Braiding	Bare copper		
Jacket	Grey (PVC-65P)		
OD	7.6±0.2mm		
Minimum insulation resistance (MΩ/KM)	0.010		
Sheath thickness	1.0mm		
Rated voltage	0.3/0.5KV		
Processing methods and use range	NO processing		
Draw	Audit	Approved	SHENZHEN HAILUTONG WIRE&CABLE CO.,LTD.
Customer Confirm:			