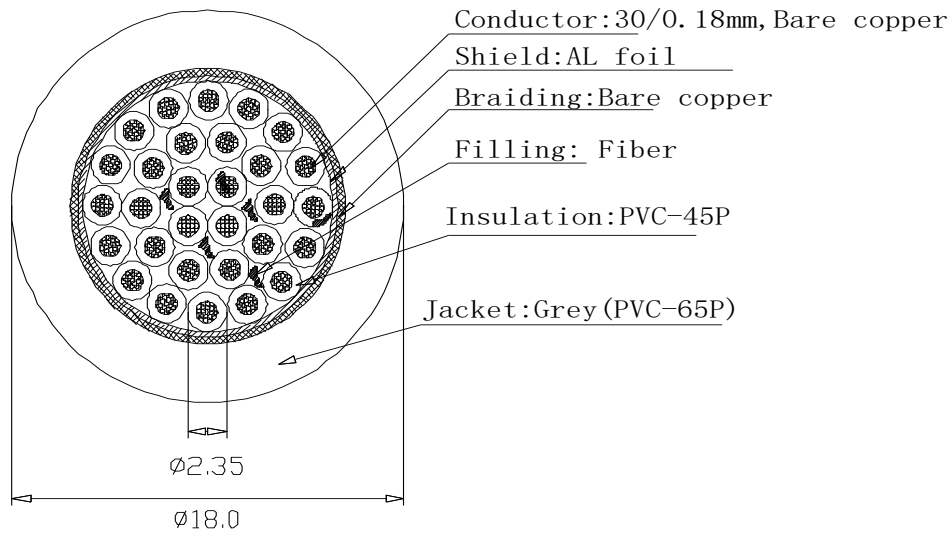


CABLE SPECIFICATION

NO.: HF20170214-13

Sectional view:



Model	RVVP 30x0.75mm ²
Conductor	30/0.18mm, Bare copper
Maximum conductor resistance Ω/KM (20℃)	26
Insulation	PVC-45P
Insulation Thickness	0.6mm
Color	Yellow/Green+29-core black (code 1-29)
ID	2.35±0.1mm
Filling	Fiber
Shield	CU / AL foil
Braiding	Bare copper
Jacket	Grey (PVC-65P)
OD	18.0±0.5mm
Minimum insulation resistance (MΩ/KM)	0.011
Sheath thickness	0.8mm
Rated voltage	0.3/0.5KV
Processing methods and use range	NO processing

Printing:  ALTEK KABEL SH-500 30G0.75 QMM/17530 300/500V 0013075 CE

Black word!

Customer Confirm:

Draw	Audit	Approved

SHENZHEN HENGFENG WIRE&CABLE CO.,LTD.