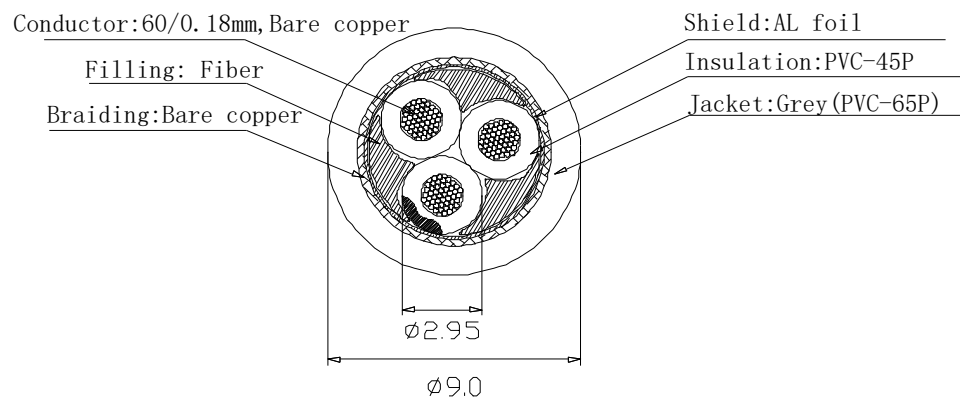


CABLE SPECIFICATION

NO.: HF20170217-28

Sectional view:



Model	RVVP 3x1.5mm ²
Conductor	60/0.18mm, Bare copper
Maximum conductor resistance Ω/KM (20°C)	13.3
Insulation	PVC-45P
Insulation Thickness	0.8mm
Color	Brown、 Blue、 Yellow/Green
ID	2.95±0.1mm
Filling	Fiber
Shield	CU / AL foil
Braiding	Bare copper
Jacket	Grey (PVC-65P)
OD	9.0±0.2mm
Minimum insulation resistance (MΩ/KM)	0.010
Sheath thickness	1.0mm
Rated voltage	0.3/0.5KV
Processing methods and use range	NO processing

Printing:  ALTEK KABEL SH-500 3G1.5 QMM/10153 300/500V 0010315 CE

Black word!

Customer Confirm:

Draw	Audit	Approved

SHENZHEN HENGFENG WIRE&CABLE CO.,LTD.