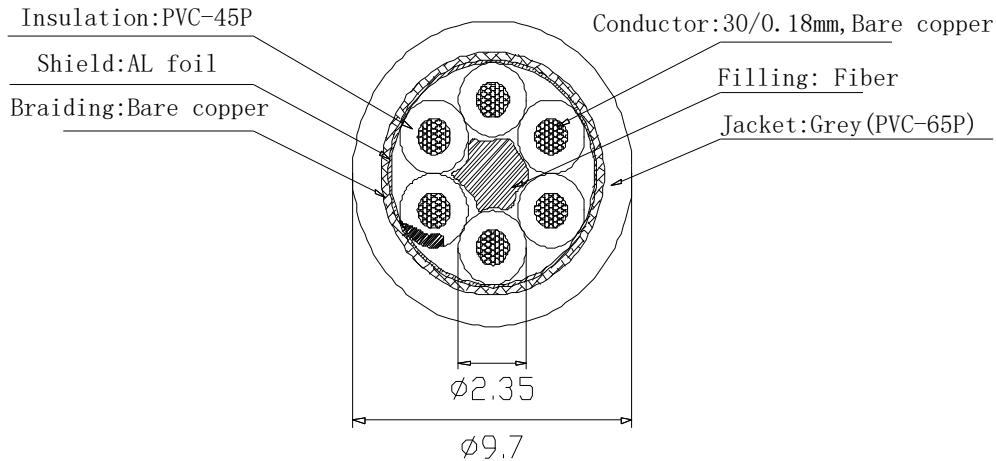


# CABLE SPECIFICATION

NO.: HF20170214-05

Sectional



<b>Model</b>	RVVP 6x0.75mm <sup>2</sup>
<b>Conductor</b>	30/0.18mm, Bare copper
<b>Maximum conductor resistance <math>\Omega</math>/KM (20°C)</b>	26
<b>Insulation</b>	PVC-45P
<b>Insulation Thickness</b>	0.6mm
<b>Color</b>	Brown, Blue, Yellow/Green, black, Grey, Red
<b>ID</b>	2.35±0.1mm
<b>Filling</b>	Fiber
<b>Shield</b>	CU / AL foil
<b>Braiding</b>	Bare copper
<b>Jacket</b>	Grey (PVC-65P)
<b>OD</b>	9.7±0.2mm
<b>Minimum insulation resistance (M<math>\Omega</math>/KM)</b>	0.011
<b>Sheath thickness</b>	0.8mm
<b>Rated voltage</b>	0.3/0.5KV
<b>Processing methods and use range</b>	NO processing

Printing:  ALTEK KABEL SH-500 6G0.75 QMM/10756 300/500V 0010675 CE

Black word!

Customer Confirm:

<b>Draw</b>	<b>Audit</b>	<b>Approved</b>

**SHENZHEN HENGFENG WIRE&CABLE CO.,LTD.**