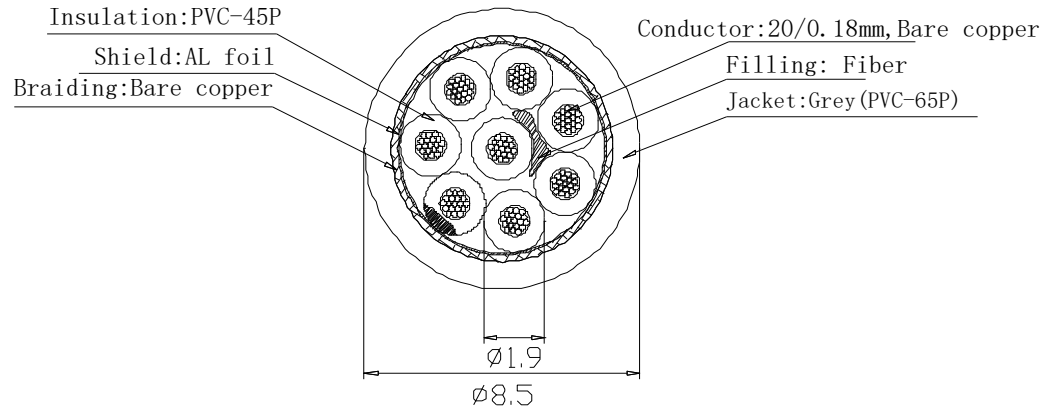


CABLE SPECIFICATION

NO.: HF20170213-07

Sectional



Model	RVVP 8x0.5mm ²
Conductor	20/0.18mm, Bare copper
Maximum conductor resistance Ω/KM (20°C)	39
Insulation	PVC-45P
Insulation Thickness	0.5mm
Color	Yellow/Green+7-core black (code 1-7)
ID	1.9±0.1mm
Filling	Fiber
Shield	CU / AL foil
Braiding	Bare copper
Jacket	Grey(PVC-65P)
OD	8.5±0.2mm
Minimum insulation resistance (MΩ/KM)	0.012
Sheath thickness	0.7mm
Rated voltage	0.3/0.5KV
Processing methods and use range	NO processing

Printing:  ALTEK KABEL SH-500 8G0.5 QMM/10058 300/500V 0010805 CE

Black word!

Customer Confirm:

Draw	Audit	Approved

SHENZHEN HENGFENG WIRE&CABLE CO.,LTD.