

# CABLE SPECIFICATION

NO.: HF20170213-07

Sectional view:

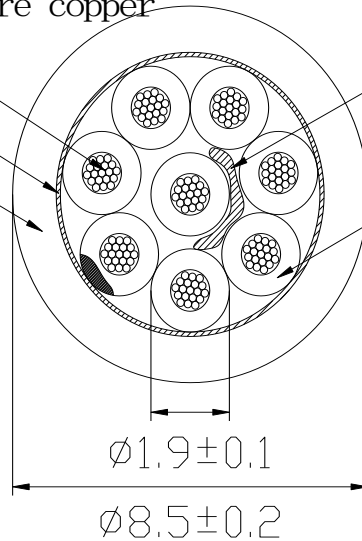
Conductor: 20/0.18mm, Bare copper

Wrapping: foam film

Jacket: Grey (PVC-65P)

Filling: Fiber

Insulation: PVC-45P



Printing:  ALTEK KABEL CT-500 8G0.5 QMM/10058 300/500V 0010805 CE

Black word!

<b>Model</b>	CT-500 8x0.5mm <sup>2</sup>
<b>Conductor</b>	20/0.18mm, Bare copper
<b>Maximum conductor resistance Ω/KM (20°C)</b>	39
<b>Insulation</b>	PVC-45P
<b>Insulation Thickness</b>	0.5mm
<b>Color</b>	Yellow/Green+7-core black (code 1-7)
<b>ID</b>	1.9±0.1mm
<b>Filling</b>	Fiber
<b>Wrapping</b>	foam film
<b>Jacket</b>	Grey (PVC-65P)
<b>OD</b>	8.5±0.2mm
<b>Minimum insulation resistance (MΩ/KM)</b>	0.012
<b>Sheath thickness</b>	0.7mm
<b>Rated voltage</b>	0.3/0.5KV
<b>Processing methods and use range</b>	NO processing

Customer Confirm:

<b>Draw</b>	<b>Audit</b>	<b>Approved</b>

SHENZHEN HENGFENG WIRE&CABLE CO.,LTD.