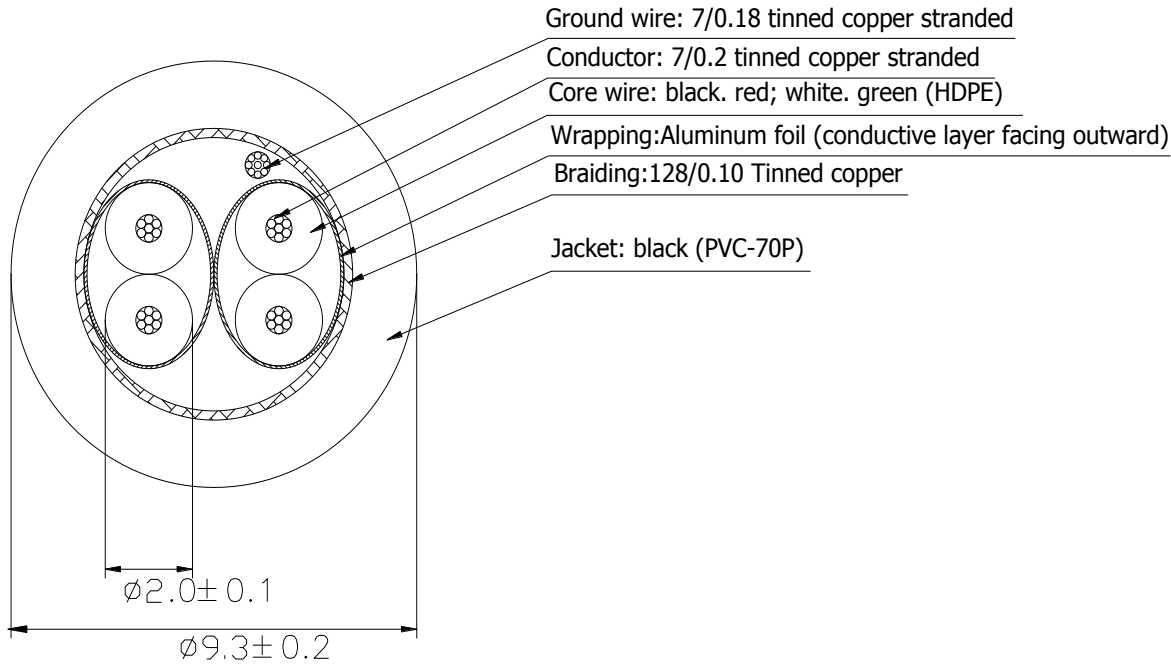


CABLE SPECIFICATION

Sectional view:



Coding content:

 .TEK KABEL RS485 2 PAIR 24AWG SCREENED LOW CAPACITANCE COMPUTER CABLE + Meter

Model	RS485 2P×24AWG+B	
Conductor	7/0.2 Tinned copper stranding	
Maximum conductor resistance Ω / KM (20 °C)	95.8	
ID	2.0±0.1mm	
Core color	Black, red; white, green	
Insulation Materials	HDPE	
Twisted pair	Black, red; white, green	
Each pair wrapping	Aluminum foil (conductive layer facing outward)	
Synchronization completed	Stranding	Two-Pairs stranding
	Ground wire	7/0.18 Tinned copper stranding
braiding	128/0.10 Tinned copper	
Jacket	Black(PVC-70P)	
OD	9.3±0.2mm	
Sheath thickness	1.0mm	
Rated voltage	300/300V	
Processing methods and scope	Cabling project, without processing	

Customer Confirm:

Draw

Audit

Approved

SHENZHEN HAILUTONG WIRE&CABLE CO.,LTD